

BRP Series

FRP Single Filter Bag Housing

Description

BRP Series FRP Single Filter Bag Housing is mainly used in occasions where stainless steel filter bag housing cannot be used. It has good sealing, large filtration area, high filtering efficiency, strong chemical compatibility, convenient operation and low maintenance costs.

The liquid to be filtered enters through the inlet of the FRP bag filter housing, flows into the filter bag, and flows out from the outlet of the filter bag housing after being intercepted by the filter bag. Compact and simple structure, easy to clean and replace filter bag.

FRP single filter bag housing is widely used in food and beverage industry, electronic biological industry, chemical and pharmacy, seawater desalination project, high-viscosity fluid filtration of paint and coating, power plant water treatment filtration system etc.



Features

- Suitable for various sizes and different materials filter bags, wide range of applications
- The bag filter is small pressure loss, low operating cost, and obvious energy saving effect
- The bag filter has a large water volume, small footprint and a strong dirt holding capacity
- The sealing ring of FRP filter bag housing uses food grade material to ensure no side leakage
- FRP single filter bag housing is no residual impurities, easy to clean, avoid secondary pollution
- It is convenient and quick to replace the filter bag, FRP bag filter housing is easy to be cleaned

Specification

Housing Material	FRP (Fibre Reinforced Plastic)
Housing Direction	Vertical
Bag Size	Size #2(Ø7"× 32")
Number of Bag	1 Piece
Filtration Rating	1µm - 300µm
Connection	Side Port
Inlet/Outlet Type	Flange, Clamp, Threaded
Inlet/Outlet Size	DN40, DN50
Sealing Type	Swing Bolt Hinged
Seal Material	EPDM, Silicon, Buna-N, Viton

Application

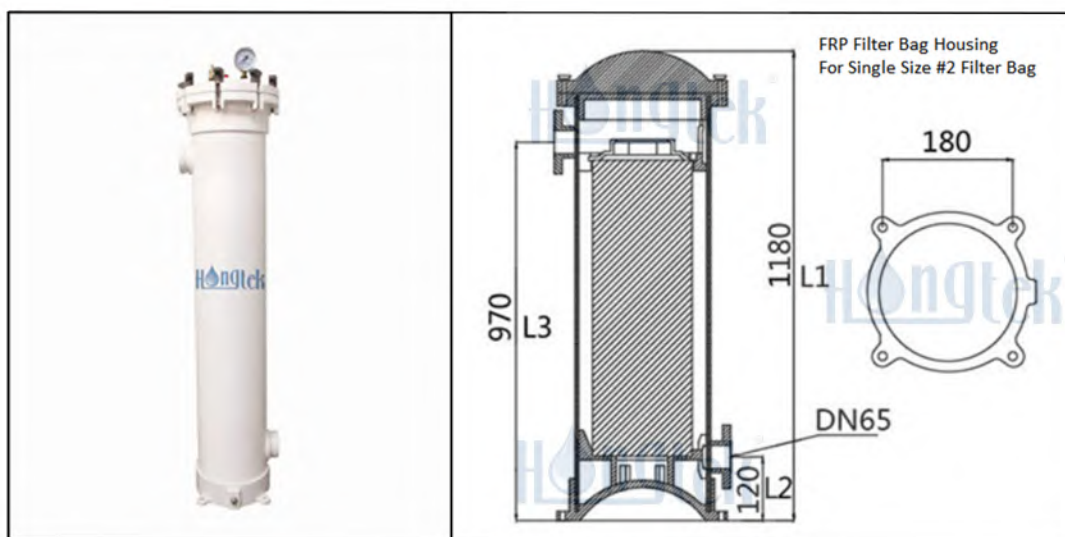
- RO Prefiltration
- Water Treatment
- Paint and Coating
- Food and Beverage
- Sea Water Desalination
- Chemical and Pharmacy
- Electronic and Biological
- Power Plant Water Treatment

Operation Data

Working Temperature	5 - 66°C
Max. Pressure	1 Mpa
Liquid Flow Direction	Side in and side out
Flow Rate	Single Size 2: Ø7"× 32" Filter Bag: 30m³/h

Tech Support

Drawing of Size #2 FRP Single Filter Bag Housing



Order Information

BRP	Bag Dimensions	Number of Bag	Inlet/Outlet Type	Inlet/Outlet Size	O-ring Material
BRP Series FRP Single Filter Bag Housing	S2 = Size #2: Ø7"× 32"	1 = 1pc	F = Flange	N40 = DN40	E = EPDM
			T = Threaded		B = Buna-N
			C = Clamp	N50 = DN50	V = Viton

For Example:

BRP-S2-1-F-N40-E

BRP Series FRP Single Filter Bag Housing - Size #2: Ø7"× 32" - 1pc - Flange - DN40 - EPDM

Special Specification FRP Filter Bag Housing with Filter Bag is Accepted to be Customed

Hongtek Filtration Co., Ltd.

Tel: +86-752-2203959, Fax: +86-752-2203820

Web: www.hongtekfiltration.com, Email: sales@hongtekfiltration.com

Address: T21 Creative Industrial Park, No.21, Yunshan East Rd, Jiangbei, Huizhou, Guangdong, China

