

# MRP Series

## FRP Cartridge Filter Housings

### Description



MRP Series FRP Multi High Flow Filter Cartridge Housing adopts the method of installing multiple large flow filter elements in cartridge housing to realize the need for greater flow in the water treatment system. It has the characteristics of longer service life, larger flow rate, good dirt capacity and high filtration efficiency, and is suitable for occasions where stainless steel filter housing cannot be used.

It is easy to install and maintain, can help save a lot of space and equipment costs, so as to achieve cost-effective filtration. Because of FRP cartridge housing is strong corrosion resistance, high temperature resistance and high strength, it is widely used in seawater desalination, industrial RO pre-filtration, food and beverages, power plant, petrochemicals, industrial water treatment etc.

### Features

- Easy installation and low maintenance cost, cost-effective and saving labor
- Save a lot of space and equipment costs, so as to achieve cost-effective filtration
- Longer service life, larger flow rate, good dirt capacity and high filtration efficiency
- According to the flow rate requirements, FRP multi high flow cartridge housing can be customized
- FRP cartridge housing is strong corrosion resistance, high temperature resistance and high strength

### Specification

<b>Housing Material</b>	FRP (Fibre Reinforced Plastic)
<b>Housing Direction</b>	Vertical
<b>Cartridge Length</b>	20", 40", 60"
<b>Number of Cartridge</b>	3 or 4pcs
<b>Installed Filter Type</b>	High Flow Filter Cartridge OD 6"
<b>Filtration Rating</b>	1µm - 100µm
<b>Connection</b>	Side Port
<b>Inlet/Outlet</b>	DN125
<b>Sealing Type</b>	Swing Bolt Hinged
<b>Seal Material</b>	EPDM, Buna-N, Viton, Silicon

### Application

- Power Plant
- Pretreatment
- RO Prefiltration
- Microelectronics
- Water Treatment
- Food and Beverage
- Sea Water Desalination

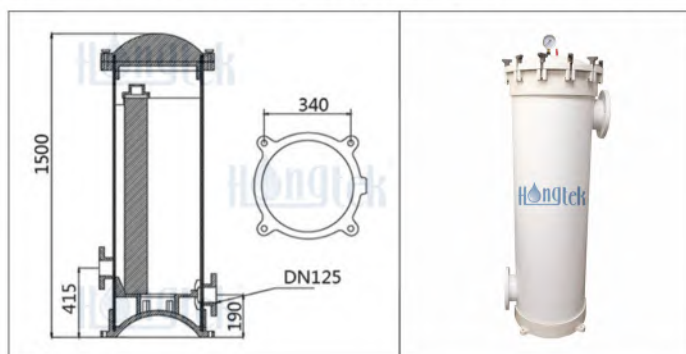
### Operation Data

Operation Data for Vertical Single FRP High Flow Filter Housing

<b>Max. Temperature</b>	80°C
<b>Max. Pressure</b>	150 PSI
<b>Liquid Flow Direction</b>	Side in and side out
<b>Flow Rate</b>	4 Round of 20" length: 60m <sup>3</sup> /h
	4 Round of 40" length: 120m <sup>3</sup> /h
	4 Round of 60" length: 180m <sup>3</sup> /h

### Tech Support

FRP Multi Cartridge Housing for 4pcs 40" High Flow Cartridges



### Order Information

MRP	Filter Length	Round (No. of Filters)	O-ring Material
MRP Series FRP Filter Housing	20 = 20"	3 = 3 Round	E = EPDM
	40 = 40"		B = Buna-N
	60 = 60"	4 = 4 Round	V = Viton S = Silicon

For Example:

MRP-40-4-E

MRP Series FRP Multi High Flow Filter Cartridge Housing - 40" - 4 Round - EPDM

## Hongtek Filtration Co., Ltd.

Tel: +86-752-2203959, Fax: +86-752-2203820

Web: [www.hongtekfiltration.com](http://www.hongtekfiltration.com), Email: [sales@hongtekfiltration.com](mailto:sales@hongtekfiltration.com)

Address: T21 Creative Industrial Park, No.21, Yunshan East Rd, Jiangbei, Huizhou, Guangdong, China

